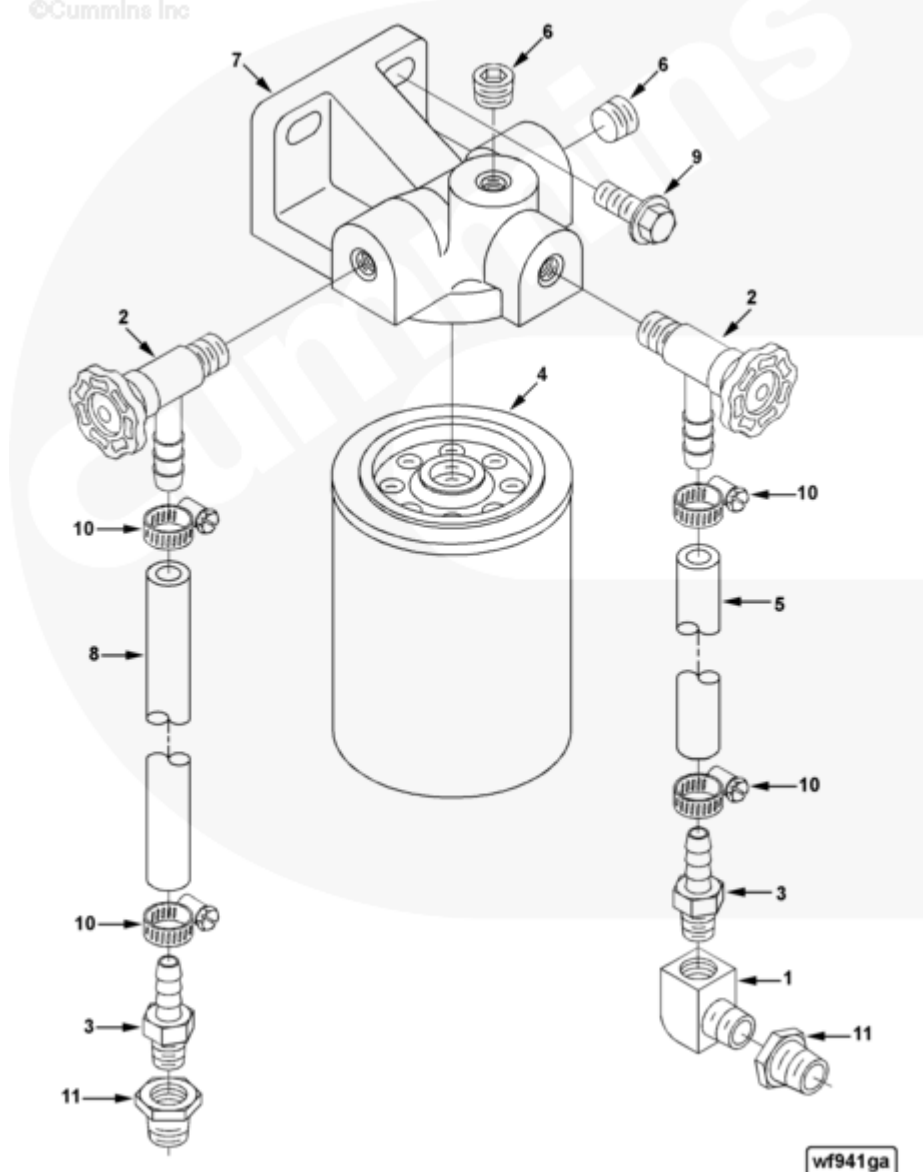




# Parts Catalog - Option Detail

Electronic Parts Catalog - Option Detail				
Option	Group	Graphic	Film Card	Date
WF9038	08.08	wf941ga	Z	24-OCT-96
<b>Engines</b>	6C8.3, C GAS PLUS CM556, G8.3, G8.3 CM558, GTA8.3 CM558, ISC CM2150, ISC CM554, ISC CM850, ISC8.3 CM2250, ISC8.3 G CM2180 C101, ISL CM2150, ISL CM554, ISL CM850, ISL G CM2180, ISL8.9 CM2150 L110, ISL8.9 CM2880 L112, ISL9 CM2150 SN, ISL9 CM2250, ISL9 CM2350 L101, ISL9 CM2350 L111, ISLE4 CM850, L GAS PLUS CM556, L8.9, L8.9 L121, L8.9G CMOH2.0 L125B, L9 CM2350 L116B, L9 CM2350 L119B, L9 CM2350 L120C, L9 CM2350 L123B, L9.3 L105, L9.5 L117, L9N CM2380 L124B, QSC8.3 CM2250, QSC8.3 CM2880 C102, QSC8.3 CM554, QSC8.3 CM850(CM2850), QSL9 CM2250, QSL9 CM2250 L115, QSL9 CM2350 L102, QSL9 CM2350 L107, QSL9 CM2350 L118, QSL9 CM2350 L122, QSL9 CM554, QSL9 CM850(CM2850), QSL9 G CM558, QSL9 M CM2250 L106, QSL9.3 CM2880 L113			



wf941ga

SMALL | MEDIUM | LARGE

Cart	Ref No	Part Number	Part Description	Required	Remarks
<a href="#">View My Cart</a>					
		<a href="#">WF9038</a>	Corrosion Resistor		<a href="#">Corrosion Resistor...(More)</a>
					Application: Sea Water
					Aftercooled
					Mounting Location:
					Fuel Pump Side, on Filter
					Bracket.
					Coolant Capacity: 8 Unity
					DCA-4 for up to 31 U.S.
					quarts.
					Includes filter head and
					shut-off valves.
<input type="checkbox"/>	1	<a href="#">70470</a>	Plain Street Pipe Elbow	1	
<input type="checkbox"/>	2	<a href="#">179901</a>	Shut-Off Valve	2	
<input type="checkbox"/>	3	<a href="#">179902</a>	Plain Hose Coupling	2	
<input type="checkbox"/>	4	<a href="#">3315115</a>	Corrosion Resistor	1	
<input type="checkbox"/>	5	<a href="#">3393348</a>	Plain Hose	1	
<input type="checkbox"/>	6	<a href="#">3628609</a>	Pipe Plug	2	3/8-18.
<input type="checkbox"/>	7	<a href="#">3848717</a>	Corrosion Resistor Head	1	Purchase From Fleeguard
<input type="checkbox"/>	8	<a href="#">3897106</a>	Plain Hose	1	
<input type="checkbox"/>	9	<a href="#">3902460</a>	Hexagon Flange Head Cap Screw	2	M10 X 1.50 X 25.
<input type="checkbox"/>	10	<a href="#">3910509</a>	Hose Clamp	4	1/4 - 7/8 in.
<input type="checkbox"/>	11	<a href="#">3924146</a>	Reducing Pipe Bushing	2	